

1.7

Check valve

Type Z1S...30

Sizes 6 to 22
Up to 315bar
Up to 400 L/min



Contents

Function and configuration	02
Ordering code	02
Symbols	03
Technical data	03
Characteristic curves	03
Unit dimensions:	04-05
· sizes 6 to 10	04
· sizes 16 to 22	05

Features

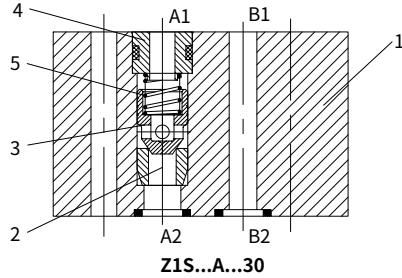
- Sandwich plate valve
for use in vertical sandwich installation
- 8 different checking functions, optional
(detail refer to the Ordering code)

Function and symbols

The Z1S ...valve is a direct operated check valve in sandwich plate design. It mainly consist of the housing(1)and check valve cartridge (2).

It is used for the leak-free closure in one direction and allows free flow in the opposite direction.

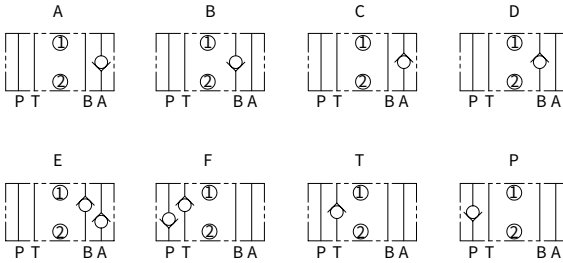
The stroke of the poppet (3) is limited by the spring seat (4). The integrated spring (5) holds the poppet (3) in the closed position.



Ordering code

Z1S				30	★	Further details in clear text
Sandwich plate check valve						No code = NBR seals
Nominal size 6	=	6				V = FKM seals
Nominal size 10	=	10				
Nominal size 16	=	16				
Nominal size 22	=	22				
Closed in port A (A1 to A2)	=	A		30=		30 series
Closed in port B (B1 to B2)	=	B				
Closed in port A (A2 to A1)	=	C				
Closed in port B (B2 to B1)	=	D				
Closed in ports A and B (A2 to A1) and (B2 to B1)	=	E				
Closed in ports P and T (P1 to P2) and (T2 to T1)	=	F				
Closed in port P (P1 to P2)	=	P				
Closed in port T (T2 to T1)	=	T				
				1 =		Crack pressure 0.5bar
				2 =		Crack pressure 3bar
				3 =		Crack pressure 5bar

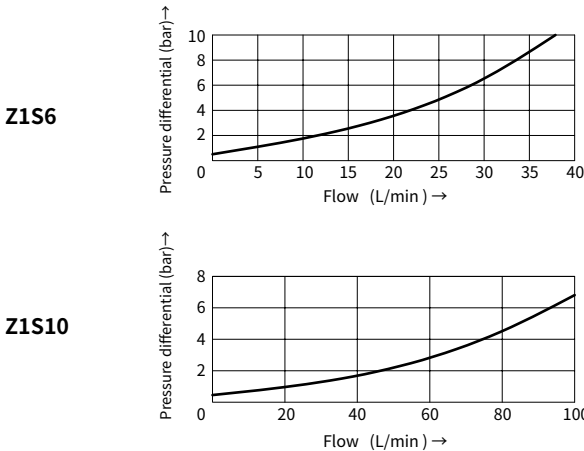
Symbols (① =valve side, ② = sub-plate side)



Technical data

Nominal size		6	10	16	22
Weight	kg	0.8	2.3	8.5	13
Max. flow -rate	L/min	42	100	200	400
Max. operating pressure	bar	To 315			
Crack pressure	bar	0.5, 3, 5			
Viscosity range	mm ² /s	-2.8 to 500			
Fluid temperature range	°C	-20 to +70			
Fluid		Mineral oil suitable for NBR and FKM seal Phosphate ester for FKM seal			
Degree of contamination		Maximum permissible degree of fluid contamination: Class 9. NAS 1638 or 20/18/15, ISO4406			

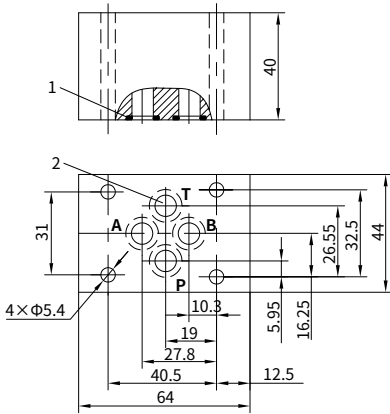
Characteristic curves (Measured at $\theta_{oil}=40^{\circ}\text{C} \pm 5^{\circ}\text{C}$, using HLP46)



Unit dimensions (Sizes 6 and 10)

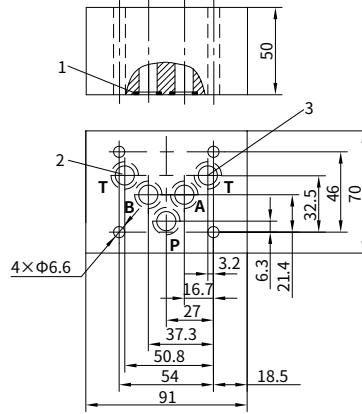
(Dimensions in mm)

Z1S6

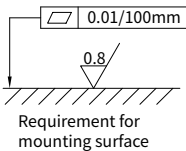
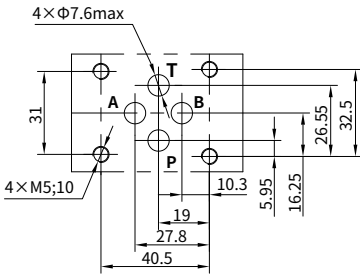


- 1 O-ring 9.25 x 1.78
- 2 Check valve of Z1S6T and Z1S6F are integrated at the line.

Z1S10



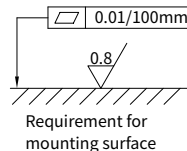
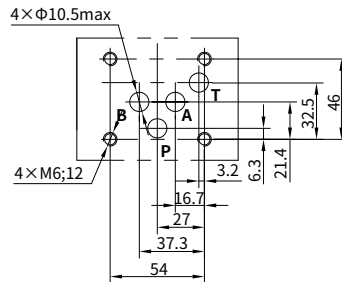
- 1 O-ring 10.82 x 1.78
- 2 Port T of Z1S10T and Z1S10F is blocked.
- 3 Check valves of Z1S10T and Z1S10F are integrated at the line.



It must be ordered separately if connection plate is needed.

Type:

- G341/01(G1/4), G341/02 (M14×1.5)
- G342/01(G3/8), G342/02 (M18×1.5)
- G502/01(G1/2), G502/02 (M22×1.5)



It must be ordered separately if connection plate is needed.

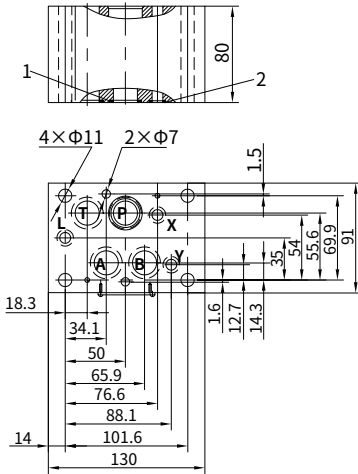
Type:

- G66/01(G3/8), G66/02 (M18×1.5)
- G67/01(G1/2), G67/02 (M22×1.5)
- G534/01(G3/4), G534/02 (M27×2)

Unit dimensions (Sizes 16 and 22)

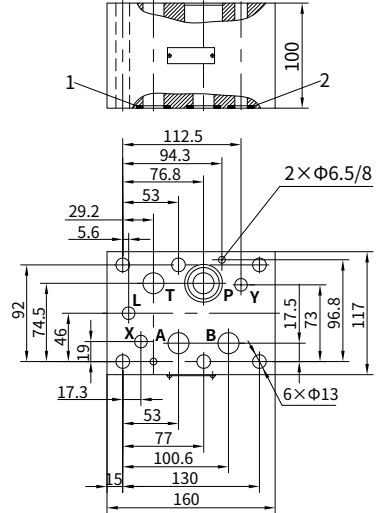
(Dimensions in mm)

Z1S16

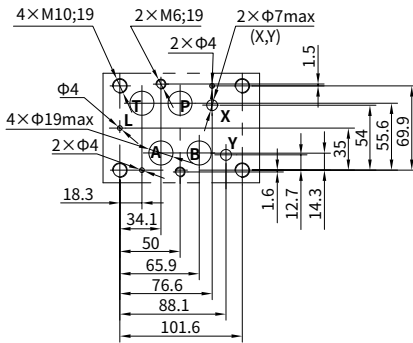


- 1 O-rings 22×2.5 (Ports A, B, P, T)
- 2 O-rings 10×2 (Ports X, Y, L)

Z1S22



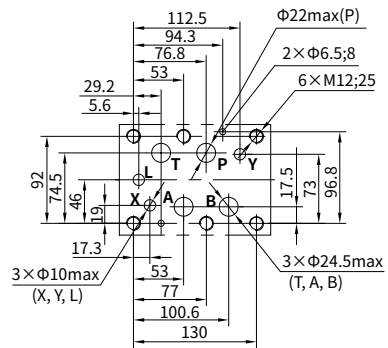
- 1 O-rings 27×3 (Ports A, B, P, T)
- 2 O-rings 19×3 (Ports X, Y, L)



Requirement for mounting surface

It must be ordered separately if connection plate is needed.

- Type: G172/01(G3/4), G172/02(M27×2)
- G174/01(G1), G172/02 (M33×2)



Requirement for mounting surface

It must be ordered separately if connection plate is needed.

- Type: G153/01(G1), G153/02 (M33×2)
- G154/01(G11/4), G154/02 (M42×2)
- G156/01(G11/2), G156/02 (M48×2)