



3.4

Pressure relief valve pilot operated

Type DB...K...L4X

Sizes 6 and 10
up to 315 bar
up to 100L/min



Contents

Function and configuration	02
Ordering code	02
Technical data	03
Characteristic curves	03
Unit dimensions	04-05

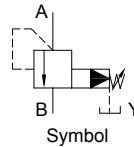
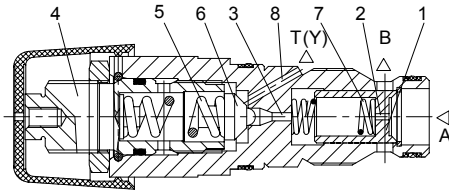
Features

- Cartridge valve
- 4 pressure ratings
- 4 adjustment elements:
 - Rotary knob
 - Adjustable bolt with protective cap
 - Lockable rotary knob with scale
 - Rotary knob with scale

Function and configuration

Pressure relief valves type DB..K.. are pilot operated pressure relief valves for installation in manifolds. They are used to limit the pressure in a hydraulic system. The system pressure is set via adjustment element (4). At static position, the valves are closed. Pressure in port A acts on the spool (1). Pressure fluid flows through orifice (2) to the spring loaded side of the spool (1) and through orifice (3) to the pilot poppet (6). If the pressure in port A rises beyond the value setting at spring (5), the pilot poppet (6) opens. Fluid can flow from the spring loaded side of spool (1), orifice (3), and channel (8) into port T(Y). The pressure drop moves spool (1) to open the connection from A to B, while the setting pressure at spring (5) is maintained. Pilot oil returns from the two spring chambers via port T(Y) externally.

Type DB10K2-L4X/Y...



Ordering code

	DB	K	- L4X /	Y	*
Pressure relief valve	=DB				Further details in clear text
Nominal size 6	= 6				No code = NBR seals
Nominal size 10	=10				V = FKM seals
Cartridge	=K				Y = Pilot oil supply internal Pilot oil drain external
Rotary knob		=1			5= Pressure adjustable up to 50bar
Sleeve with hexagon and protective cap		=2			10= Pressure adjustable up to 100bar
Lockable rotary knob with scale		=3			20= Pressure adjustable up to 200bar
Rotary knob with scale		=7			31.5= Pressure adjustable up to 315bar
Notes:			L4X		= Series L40 to L49 (L40 to L49: unchanged installation and connection dimensions)

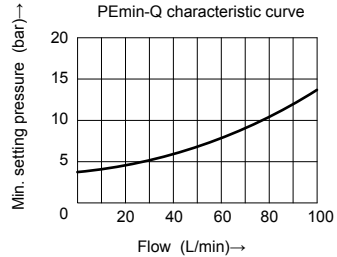
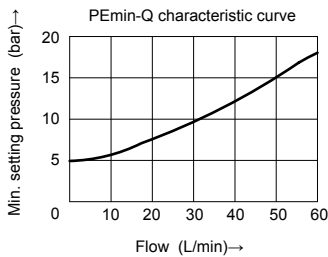
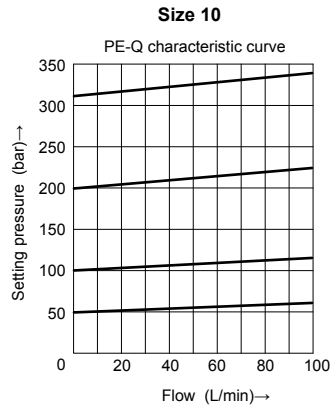
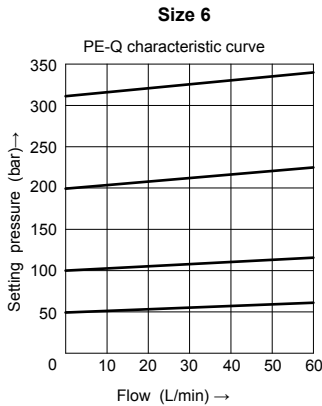
The pilot relief valves may have lower starting pressure and more flow, but have more internal leakage. If lower leakage is demanded, such as safety valve, it is recommended to choose direct operated pressure relief valves, DBD type.

Technical data

Size		6	10
Fluid		Mineral oil suitable for NBR and FKM seal Phosphate ester for FKM seal	
Fluid temperature range	°C	-30 to +80 (NBR seal) -20 to +80 (FKM seal)	
Viscosity range	mm ² /s	10 to 800	
Degree of contamination		Maximum permissible degree of fluid contamination: Class 9. NAS 1638 or 20/18/15, ISO4406	
Max. operating pressure	bar	315	
Max. setting pressure	bar	50; 100; 200; 315	
Max. flow-rate	L/min	to 60	to 100
Weight	kg	Approx. 0.22	Approx. 0.3

03

Characteristic curves (Measured at $\vartheta_{oil} = 40^{\circ}C \pm 5^{\circ}C$, using HLP46)

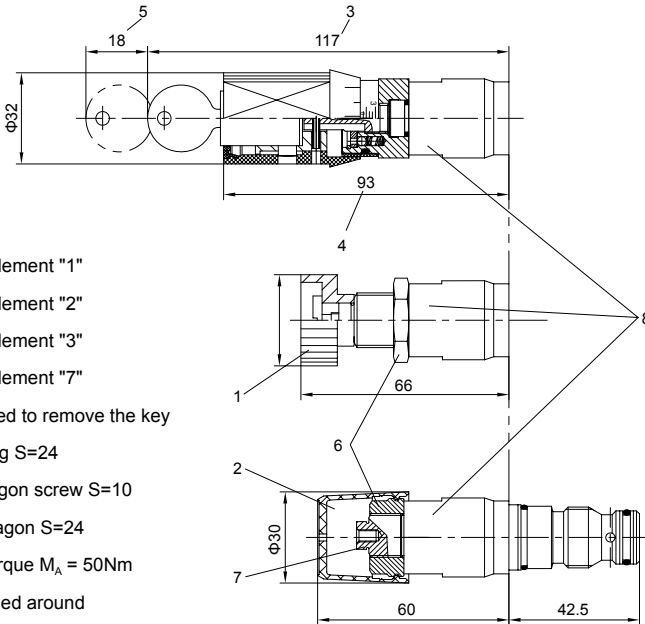


The curves are measured at zero back pressure.

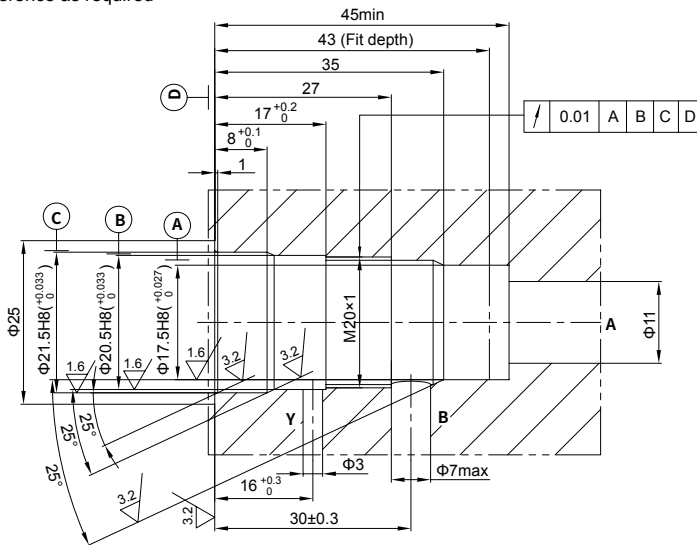
Unit dimensions

(Dimensions in mm)

•Type DB6K...-L4X/...



- 1 Adjustment element "1"
- 2 Adjustment element "2"
- 3 Adjustment element "3"
- 4 Adjustment element "7"
- 5 Space required to remove the key
- 6 Nut for locking S=24
- 7 Internal hexagon screw S=10
- 8 External hexagon S=24
Tightening torque $M_A = 50Nm$
- 9 Port B arranged around circumference as required



China

+86 400 101 8889

America

+01 630 995 3674

Germany

+49 172 3683463

Japan

+81 03 6809 1696



© This brochure can be reproduced, edited, reproduced or transmitted electronically without the authorization of Hengli Hydraulic Company. Due to the continuous development of the product, the information in this brochure is not specific to the specific conditions or applicability of the industry, thus, Hengli does not take any responsibility for any incomplete or inaccurate description.